



THE BUILT-IN VACUUM SYSTEM

RECORD THIS INFORMATION FOR FUTURE REFERENCES

MODEL NUMBER _____

DATE OF PURCHASE _____

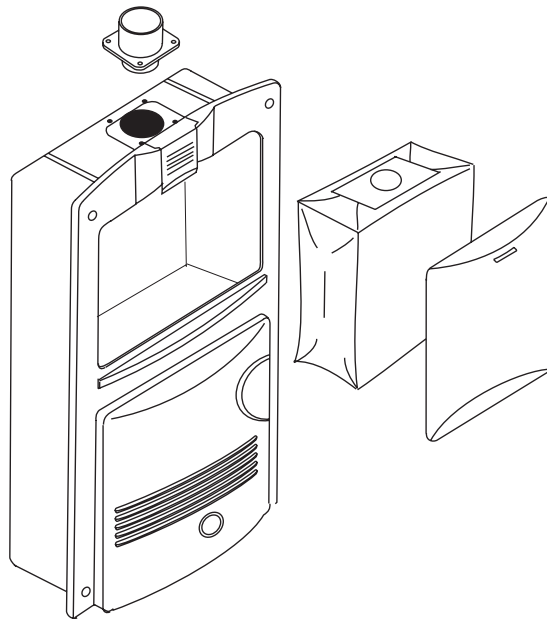
PLACE OF PURCHASE _____

Manual: #RM120-e Rev. : 09/10
Part # W501

INSTALLATION AND OPERATING MANUAL

MODEL RMH-120 with electric cord

MODEL RMF-120 hard wired, grounded



IF YOU SHOULD HAVE ANY QUESTIONS OR EXPERIENCES A PROBLEM WITH YOUR INTERVAC PRODUCT, DO NOT RETURN THIS PRODUCT TO THE STORE OR DEALER PLEASE CALL OUR CUSTOMER SERVICE DEPT. AT: 1-888-499-1925

WARNING: Owner read carefully.

This manual must be read and understood before installation, adjustment, service or maintenance is performed.

This unit should be installed by a qualified technician.

Modification of this product can be extremely hazardous and could result in personal injury or property damage. Instructions must stay with unit.

InterVac Design Corp., Palm City, FL 34990

Phone 772-463-1400 • USA & Canada toll free 888-499-1925

www.garagevac.com • e-mail: info@garagevac.com



IMPORTANT SAFETY INSTRUCTIONS SAVE THESE INSTRUCTIONS

When using an electrical vacuum cleaner, basic precautions should always be followed including the following: Read all instructions carefully before using this vacuum cleaner.

WARNING: TO REDUCE THE RISK OF FIRE, ELECTRIC SHOCK, OR INJURY:

1. Do not leave appliance when plugged in. Unplug from an electrical outlet when not in use and before servicing.
2. Do not use outdoors or on wet surfaces.
3. Never operate this vacuum cleaner without a paper bag and filters in place.
4. Close attention is necessary when used by or near children. Do not allow unit to be used as a toy.
5. Use only for intended use as described in this manual. Use only the manufacturer's recommended attachments and paper bag.
6. Do not use with damaged cord or plug. If appliance is not working as it should, has been dropped, damaged, left outdoors, or fell into water, return the vacuum cleaner to InterVac or an authorized service dealer for examination and repair.
7. Do not put any object into openings. Do not use with any openings blocked; keep free of dust, lint, hair and any other material that may reduce air flow. When the secondary filter becomes dirty, rinse in warm water or replace with a new filter. Filter should be completely dry before using.
8. Never drop or insert any object into any opening.
9. Turn off all controls before unplugging.
10. Do not pull or carry by cord, do not use cord as a handle, do not close a door on the cord, or pull cord around sharp edges or corners. Do not run appliance over cord. Keep cord away from heated surfaces.
11. Do not unplug by pulling on cord. To unplug, grasp the plug, not the cord.
12. Keep hair, loose clothing, fingers, and all parts of body away from any openings and all moving parts.
13. Do not pick up anything that is burning or smoking, such as cigarettes, matches, or hot ashes. Do not use without dust bag and filters in place.
14. Use extra caution when cleaning on stairs.
15. Do not handle plug or appliance with wet hands.
16. Do not pick up flammable or combustible liquids such as gasoline, or use in areas where they may be present.
17. Do not place objects against the vacuum cleaner. Keep area clear.
18. Do not step on the hose or pull the hose forcibly.
19. Do not pick up large objects such as waste paper or cloth, which may clog the hose.
20. Do not install this vacuum cleaner in an area exposed to high temperatures.
21. Install this vacuum cleaner in a dry place.
22. Do not attempt to service the vacuum cleaner. Unit is sealed and can not be opened without damage to the unit. For service, call your local authorized service dealer, or InterVac Design's Customer Care Center.

Polarization Instructions for model RMH120 (with electric cord) only.

This appliance has a polarized plug (one blade is wider than the other). This plug will fit in a polarized outlet only one way. If the plug does not fit fully in the outlet, reverse the plug. If it still does not fit, contact a qualified electrician to install the proper outlet. Do not change the plug in

CAUTION: To avoid possible electrical shock, be sure that electricity is turned off at the main switch or circuit breaker. All wiring must be in accordance with the National Electric Code.

MODEL RMH120 with electric cord only, Double Insulated

SERVICING OF DOUBLE-INSULATED APPLIANCES

A double-insulated appliance is marked with one or more of the following: The words DOUBLE INSULATION or DOUBLE INSULATED or the double insulation symbol (square within a square).



In a double-insulated appliance, two systems of insulation are provided instead of grounding. No grounding means is provided on a double-insulated appliance, nor should a means for grounding be added to the appliance. Servicing a double-insulated appliance requires extreme care and knowledge of the system, and should be done only by qualified service personnel. Replacement parts for a double-insulated appliance must be identical to the parts they replace.

To reduce the risk of electric shock, this appliance has a polarized plug (one blade is wider than the other). This plug will fit in a polarized outlet only one way. If the plug does not fit fully in the outlet, reverse the plug. If it still does not fit, contact a qualified electrician to install the proper outlet. Do not change the plug in any way.

LIMITED WARRANTY

InterVac Design Corp. will repair the power unit with new or rebuilt parts, free of charge for six (6) years from the date of original purchase in the event of a defect in materials or workmanship. No cash refunds. Excluded are the following items that require normal replacement: Disposable dust bags, filters, vacuum cleaner tools and vacuum hoses.

This warranty is extended only to the original purchaser. A purchase receipt or other proof of date of original purchase will be required before warranty performance is rendered.

You must return your warranty card in order to be covered under these provisions.

This warranty only covers failures due to defects in materials or workmanship which occurs during normal use and does not cover damage which occurs in shipment or failures which are caused by products not supplied by InterVac Design, or failures which result from accident, misuse, abuse, neglect, mishandling, misapplication, alteration, modification, or commercial use such as hotel, office, restaurant or rental use of the product, or service by anyone other than an authorized service center, or damage that is attributable to acts of God.

There are no expressed warranties except as listed above.

LIMITS AND EXCLUSIONS:

INTERVAC DESIGN SHALL NOT BE LIABLE FOR INCIDENTAL OR CONSEQUENTIAL DAMAGES RESULTING FROM THE USE OF THIS PRODUCT, OR ARISING OUT OF ANY BREACH OF THIS WARRANTY. ALL EXPRESSED AND IMPLIED WARRANTIES, INCLUDING THE WARRANTIES OF MERCHANTABILITY AND FITNESS FOR A PARTICULAR PURPOSE, ARE LIMITED TO THE APPLICABLE WARRANTY PERIOD SET FORTH ABOVE.

Some states do not allow the exclusion or limitation of incidental or consequential damages or limitations on how long an implied warranty last, so the above exclusions or limitations may not apply to you. This warranty gives you specific legal rights that vary from state to state. If a problem with this product develops during or after the warranty period, you may contact your dealer or our service center. If the problem is not handled to your satisfaction, then write to the Customer Service Center at the company address.

RETURN POLICY

We will not accept shipments without a Return Authorization number. Please call InterVac Design for your RA number. Carefully pack and send the unit prepaid, adequately insured and preferably in the original carton. Enclose a letter describing the nature of the problem or complaint. InterVac Design will repair or replace your unit. However our policy is, no cash refunds after the 30 days trial period.

CAUTION: To avoid possible electrical shock, be sure that electricity is turned off at the main switch or circuit breaker. All wiring must be in accordance with the US National Electric Code or Canadian Electric Codes.

WARNING: Electrical connections should be made by a qualified electrician.

Specification: 120 Volt, 11 Amp 50/60Hz, Weight 8 lb

Parts List:

Depending on model	2 dry-wall anchors, 1 red push pin
Paper template	4 painted screws
3 wire connectors for RMF model inlet valve + pipe fitting assembly	2 high filtration bags # Y08

interVac Model: RMF120 flush mounted, without electric cord

GROUNDING INSTRUCTIONS for RMF120 ONLY, WHEN PERMANENTLY WIRED

This appliance must be connected to a grounded metal, permanent wiring system; or an equipment-grounding conductor must be run with the circuit conductors and connected to the equipment-grounding terminal or lead on the appliance.

WARNING: Disconnect all electrical power to the wall area before installing!

Do not drill near studs where electrical cable may be secured to studs adjacent to receptacles.

Note: The four mounting holes in the outer corners of the flange of the Vacuum Cleaner must be drilled from the back of the unit with a 3/16" drill bit when the unit is to be recessed into a wall.

To reach with the vacuum hose as far as possible, choose a wall or surface that is centrally located and has an electrical outlet or switch from a 16 amp circuit breaker. Make sure the wall is hollow and there are no pipes or other obstructions in the section you choose.

continued:

interVac

Model RMF-120 flush mounted installation

Paper Template #W601

Recessed Mounted into Wood Surface (see Fig.: B)

NOTE: Installation should be accessible from the back to install pipe fittings and wiring connection.

- Step 1.** Attach paper template to wall or surface about 6 inches or higher above the floor, so that the exhausting air is not restricted.
- Step 2.** Read instructions on paper template.
- Step 3.** At the lower right side of the unit, remove the 2-3/4 x 1-3/8 access cover plate on the vacuum cleaner. You will find black, white and green wires for the 110-volt power connection. **2 yellow wire pigtails** for the 24 volt control circuit protruding out of the bottom of the vacuum.
Do not pull wires back into housing. Use butt connector for wiring to the inlet valve.
- Step 4.** Install the remote vacuum valve(s) first and then the 2" dia. flex-hose.
Fasten the flanged fitting to the top of the vacuum by using the four #6 screws. See page #7
Attach the pipe fittings and flex-hose to the remote inlet valve.
- Step 5.** From the remote vacuum valve install 2 yellow 20 gage, UL approved (AVLV2) rated minimum 300volt, 95 C, wires (24 volt line) along the flex-hose to the bottom of the housing to the **2 yellow pigtails**.
Secure the wires with "ty-wraps" to the flex-hose. Connect wires with butt connectors outside the housing.
- Step 6.** Install 14 gage AWG 300V minimum Romex cable (use wires rated for at least 95C.) from your 120volt electric power supply and pull the cable through the Romex clamp into the vacuum cleaner.
connect black to black, white to white and green to bare ground conductor wires.
Tighten Romex clamp and replace the side cover.
- Step 7.** Place the vacuum cleaner in the cut-out and secure with the 4 painted screws provided.
- Step 8.** Please, check that dust bag and motor filter (under dust bag) are installed. Motor filter should lay flat on all 4 corners under the ribs!
Test unit for proper operation by inserting the end of the vacuum hose into the remote valve.

**IMPORTANT: If installed during new construction, do not use to clean up building debris.
For household use only. Nails and sharp objects can damage your InterVac.**

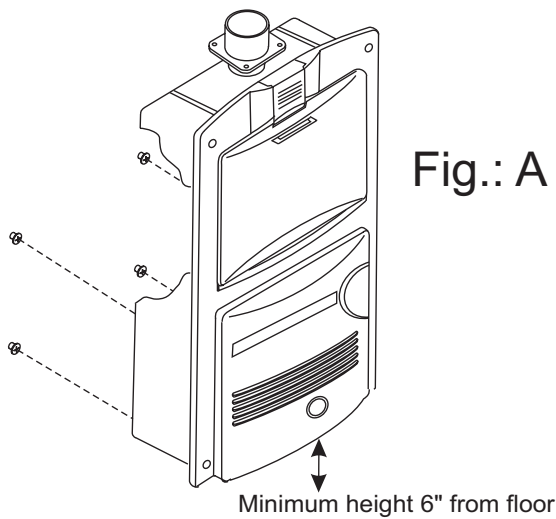
interVac Model: RMH 120 with electric cord attached, double insulated

Paper Template #W600

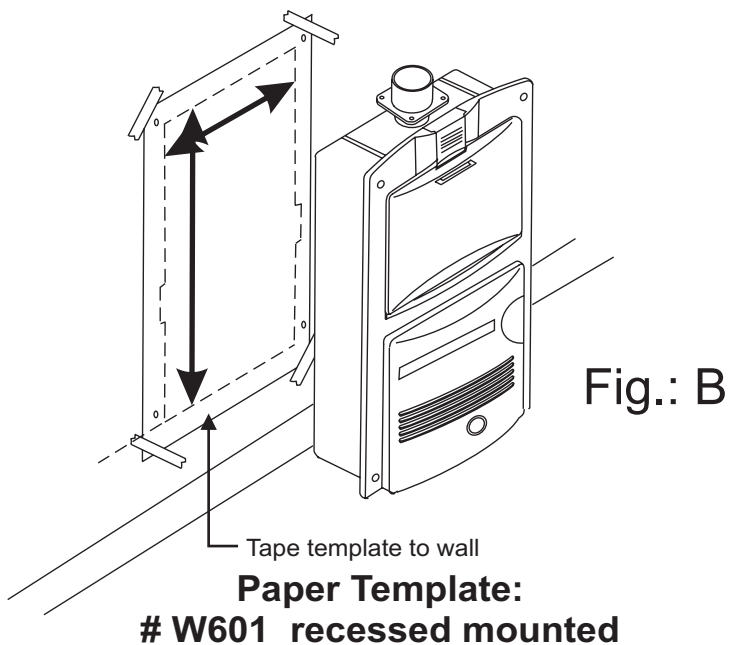
Surface Mounted to Wood or Dry-wall (see Fig.: A)

- Step 1.** To reach with the vacuum hose as far as possible, find a central location for the inlet valve and a mounting position for the vacuum as close as possible to the inlet valve. An electrical receptacle has to be near by.
- Step 2.** Tape the paper template for the vacuum to the wall a minimum 4" above the floor, so that the exhausting air is not restricted. Mark the 4 screw positions with a pointed tool accurately and remove the template for future references
- Step 3.** Attach the enclosed #8 screws to the wall as marked on the template. Keep the screw heads 1/8" from the wall.
- Step 4.** Carefully remove template from the wall and place it into the operating manual for future references .
- Step 5.** Slide the key holes on the back of the vacuum cleaner over the 4 screw heads and push down. If vacuum cleaner is loose re-tighten screws.
- TIP:** If vacuum cleaner is mounted on its back or side it may slide of the screw heads when you pull on the vacuum hose. To prevent this, fasten a small block against the top of the unit.
- Step 6.** Install the remote vacuum valve (see page 7). Then route the flex-hose from the valve to the vacuum.
- Step 7.** From the remote vacuum valve install 2 yellow 20 gage, UL approved (AVLV2) rated minimum 300volt, 95 C, wires (24 volt line) along the flex-hose to the bottom of the housing to the **2 yellow pigtails**.
Secure the wires with "ty-wraps" to the flex-hose. Connect yellow wires with butt connectors outside the housing.
- Step 8.** Plug the electric cord into the receptacle.
- Step 9.** Test unit for proper operation by inserting the end of the vacuum hose into the remote valve.
Please, check that dust bag and motor filter (under dust bag) are installed. Motor filter should lay flat on all 4 corners under the ribs!

**IMPORTANT: If installed during new construction, do not use to clean up building debris.
For household use only. Nails and sharp objects can damage your InterVac.**



**Paper Template:
W600 surface mounted**



**Paper Template:
W601 recessed mounted**

HOW TO OPERATE YOUR VACUUM CLEANER

FOR MODEL RMH-120 OR RMF-120, REMOTE VALVE UNITS

**NOTE: THE LOWER PART OF THE VACUUM CLEANER CAN BE QUITE WARM.
IF THE VACUUM STOPS RUNNING:**

Disconnect the vacuum hose from the unit and let the vacuum cool. The thermal protector on the motor will reset itself after the motor is cooled. The most likely cause will be a full bag or clogged vacuum hose. PLEASE SEE TROUBLE SHOOTING GUIDE.

A. Connecting and disconnecting the hose. START AND STOP.

1. Lift inlet valve cover on the wall.
2. Insert the hose cuff with a twist and push. The vacuum cleaner will start automatically.
3. To remove, turn hose in either direction while pulling hose towards you.
The vacuum cleaner will stop running.

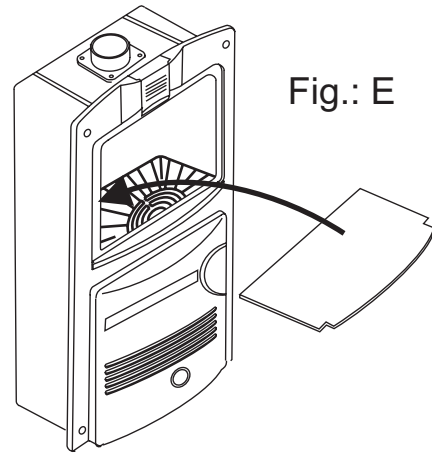
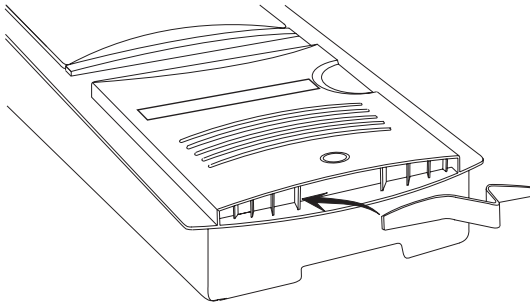
B. How to change the dust bag, Replacement Part # Y08

1. Open the door on the vacuum cleaner by pushing the latch upward and remove door completely.
2. Remove full bag and discard.
3. Locate the pipe inside the vacuum chamber. Holding the new bags cardboard collar at approximately a 45 degree angle, insert the cardboard part of the bag against upper back corner of the vacuum cleaner chamber behind the pipe. Lift the front of the collar over the pipe as far as possible.
4. When closing door, tuck-in the left and right corners of the bag, so the door is properly sealed and the latch clicks into place.

**NEVER OPERATE THE VACUUM CLEANER WITHOUT THE DUST BAG
OR THE MOTOR FILTER.**

C: To change motor filter, Replacement Part # Y21 (see Fig.: E)

1. Remove door and dust bag.
2. Reach into the cavity towards the bottom of the vacuum cleaner and remove the motor filter.
3. Replace the filter with a new filter and tuck-in the corners so that the filter lays centered and flat on the grid, with the straight side towards the back.
4. If you need to; clean the dirty filter by vacuuming or washing in mild soap by hand. Replace both pieces.
Do not clean in washing machine.



D: Replacing Exhaust Filter, Part #Y41:

*Pinch exhaust filter in the middle and pull out.
To replace, pinch in the middle and slide in one side first.*

**E: Replacing Motor Filter
Part # Y21**

tuck-in the corners and sides carefully under the ribs

TROUBLE SHOOTING:

TIP : *If you use our very convenient stretch hose, but require more suction power, we recommend you try our standard central vacuum hose.*

NOTE: IF MOTOR SUDDENLY STOPS:

1. *The most common cause is a clogged hose. Disconnect vacuum hose from cleaner, hold one end high up in the air and drop a quarter into the hose. If the quarter gets stuck, the hose is clogged. Try to unclog the hose with a long object or see "cleaning stretch hose" below.*
2. *The bag is overfilled or fine dust has clogged the bag.*
3. *The vacuum cleaning tools are clogged.*
4. *Vacuuming large amounts of dust other than household dirt, such as dry-wall or fine wood dust can block the bags pores fast, even if the bag is new.*
5. *The motor filter is dirty and should be cleaned or replaced.*
6. *If vacuum unit is installed in an air tight compartment and air cannot exhaust, the motor can overheat and will shut off until it is cooled down and the thermo protector resets.*
7. *The exhaust filter should be checked and washed.*

CLEANING THE STRETCH HOSE:

The stretch hose, besides all its' conveniences, has a tendency to get clogged, especially if you have pets.

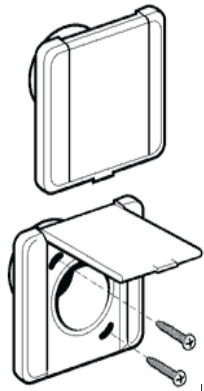
- a) *lift the hose up on both ends and dispense some liquid detergent into both ends.*
- b) *with a garden hose, holding both ends still up, fill ¾ with water.*
- c) *shake hose up and down, let detergent loosen the dirt.*
- d) *stretch the hose as far as you can (2 people required) and wash the dirt out with the full pressure of the garden hose. Repeat if necessary.*
- e) *Hang hose up on one end. Let hose drain and dry completely. it might take 24 hours.*

CAUTION:

**DO NOT PICK UP LIQUIDS, LIT CIGARETTES, HOT ASHES,
RAZOR BLADES, NEEDLES, PINS OR OTHER SHARP OBJECTS!**

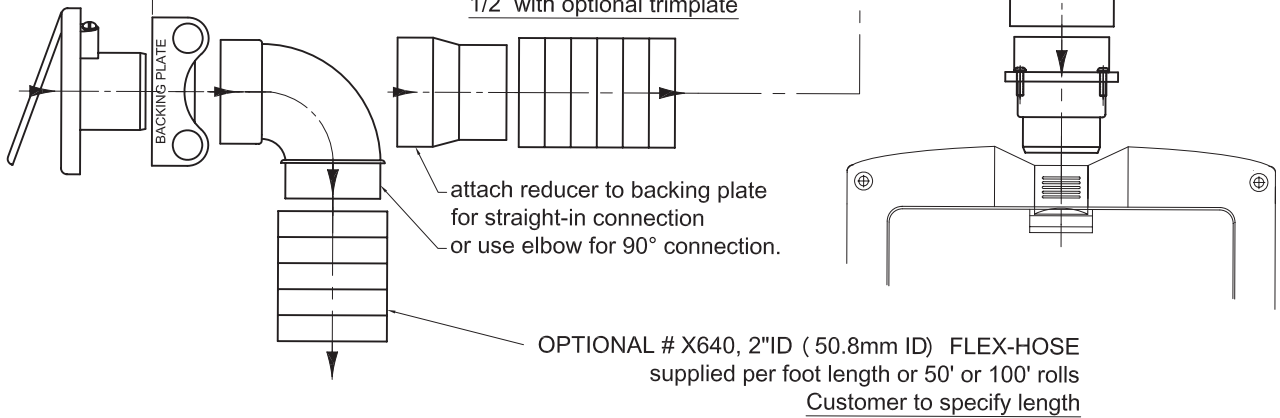
BASIC SQUARE VALVE and FITTING SET for RM MODELS

Part # 571-B, with Beige Valve
 Part # 571-E, with Black Valve
 Part # 571-W, with White Valve



Valve Size:
 3-1/2 x 3-1/2

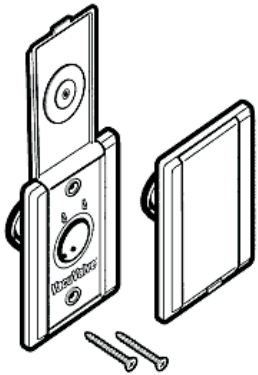
Note: max. wall thickness 5/8 without trimplate
 1/2 with optional trimplate



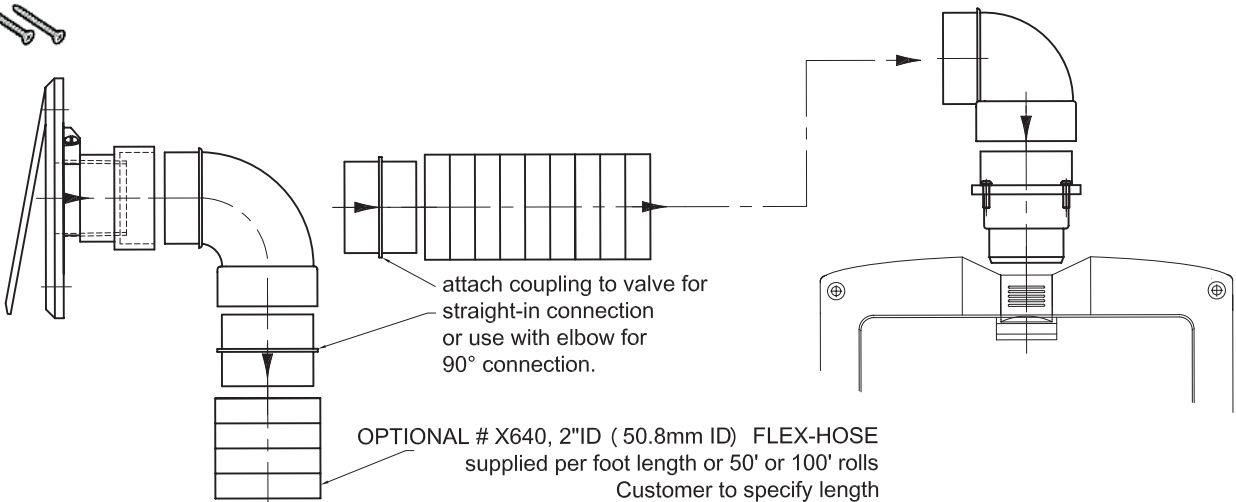
THIS INLET VALVE WITH THE BACKING PLATE IS BASICALLY USED FOR DRY-WALL INSTALLATIONS BUT BECAUSE OF ITS COMPACT SIZE IS ALSO USED IN OTHER APPLICATIONS

BASIC RECTANGULAR VALVE and FITTING SET

Part # 572-B with Beige Valve
 Part # 572-E with Black Valve
 Part # 572-W with White Valve



Valve Size:
 3-1/2 x 5-1/4



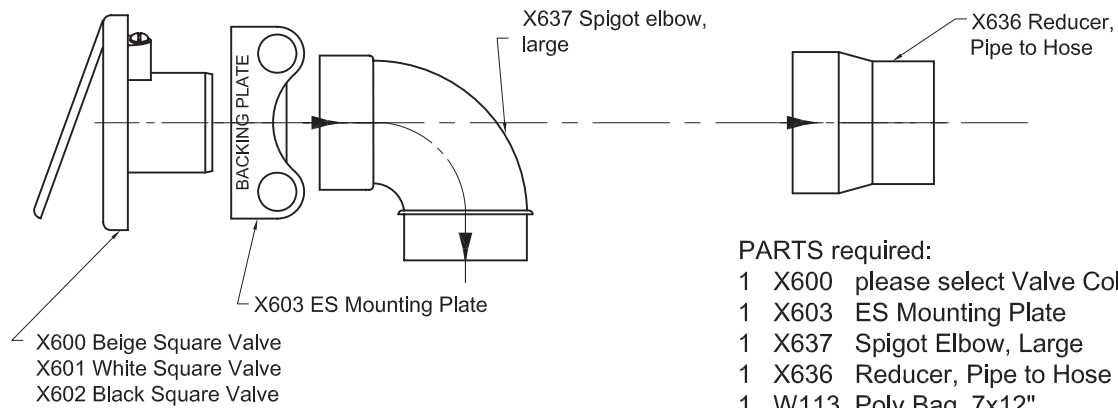
THE RECTANGULAR VALVE DOES NOT REQUIRE A BACKING PLATE. IT IS FASTER TO INSTALL ESPECIALLY FOR WOOD OR OTHER STABLE SURFACES.

#A553, ADDITIONAL SQUARE INLET VALVE ASSEMBLY

A553-B, Beige

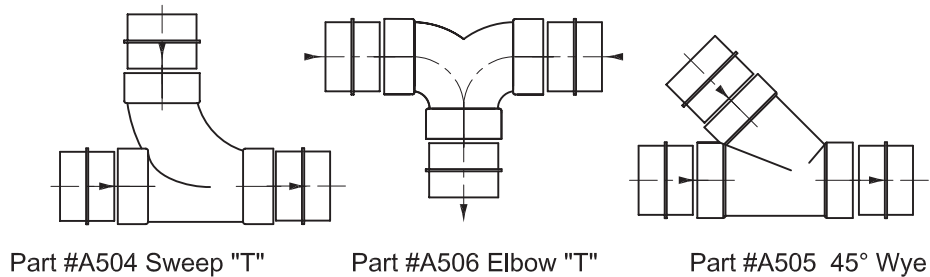
A553-E, Black

A553-W, White



- PARTS required:**
- 1 X600 please select Valve Color
 - 1 X603 ES Mounting Plate
 - 1 X637 Spigot Elbow, Large
 - 1 X636 Reducer, Pipe to Hose
 - 1 W113 Poly Bag, 7x12"
 - 1 Vacuum Line Splitter, please select

Select 1 of the 3 vacuum line splitters, includes couplings

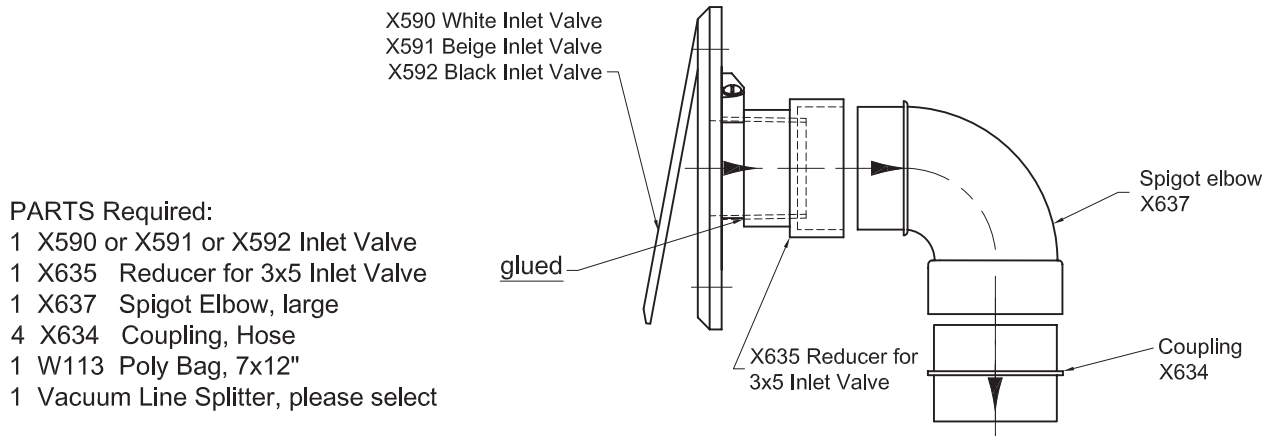


#A556, ADDITIONAL RECTANGULAR INLET VALVE ASSEMBLY

#A556-B, Beige

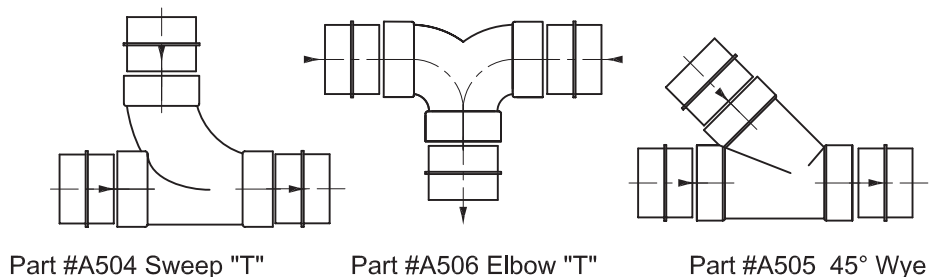
#A556-E, Black

#A556-W, White

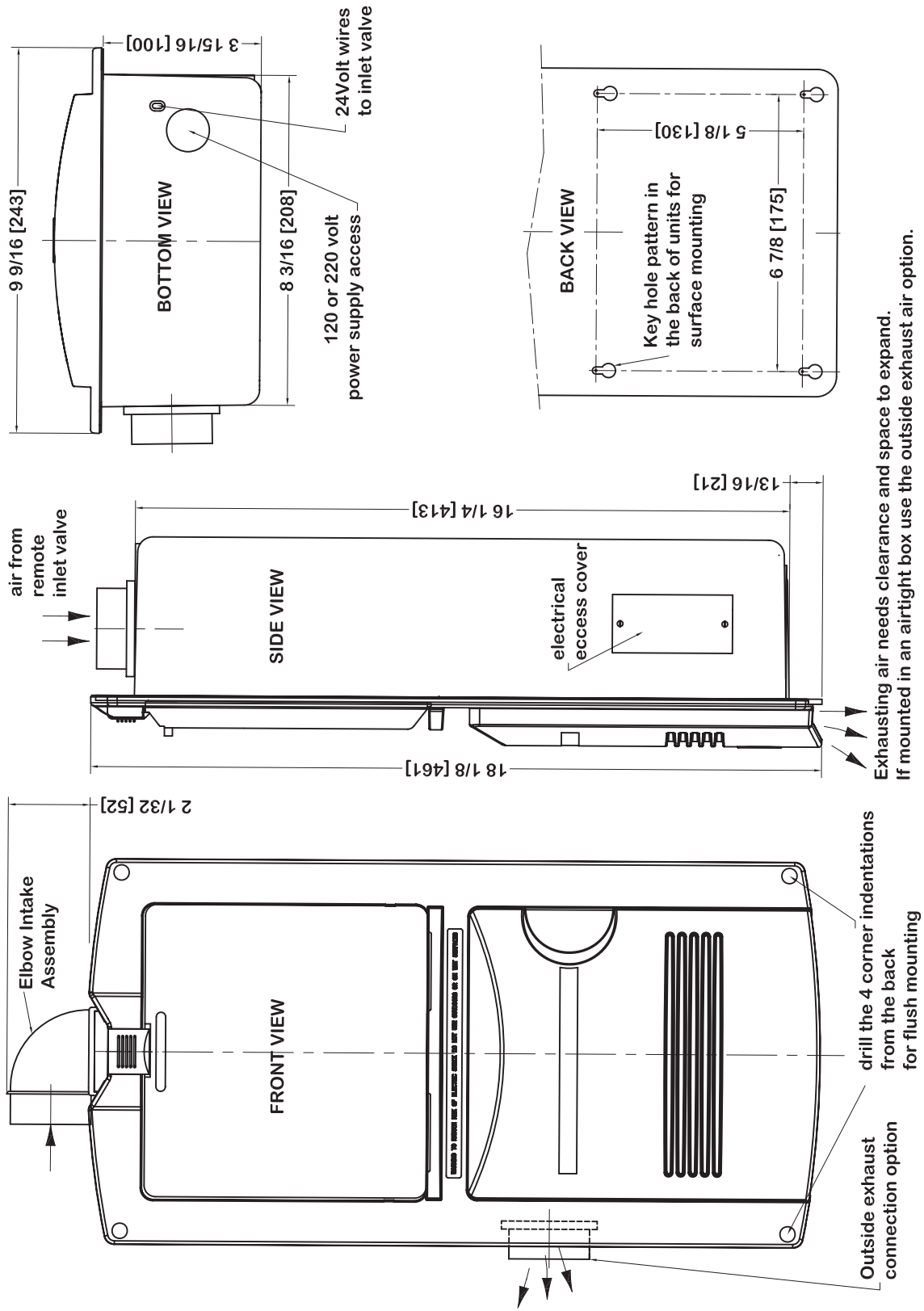


- PARTS Required:**
- 1 X590 or X591 or X592 Inlet Valve
 - 1 X635 Reducer for 3x5 Inlet Valve
 - 1 X637 Spigot Elbow, large
 - 4 X634 Coupling, Hose
 - 1 W113 Poly Bag, 7x12"
 - 1 Vacuum Line Splitter, please select

Select 1 of the 3 vacuum line splitters, includes couplings



DIMENSIONAL LAYOUT FOR MODELS RMF, RMH



interVac™ ACCESSORIES



Complete Tool Kit

(Includes all item on the right)

PART # 705 for Models: H,F,CM,GV
PART # 705B for Models RM, RMG



40' Stretch Hose As'bly with
plain Cuff. PART# A002

40' Stretch Hose As'bly with
Banded Cuff. PART# A002B



2 Part Upholstery
 Tool **PART # X300**



Crevice Tool
PART # X200



Dust Brush
PART # X250



Floor/Rug Tool
PART # X403



Mesh Storage Bag
PART # X501

Telescoping Wand, **PART # X154**



DUST BAGS:

PART # Y08-5 (5 pack) high filtration , Hepa type, dust bags
 for all InterVac models.

NOTE: All Power Units supplied with 2 Dust Bags



OPTIONAL VACUUM TOOLS

30 Foot Traditional
 Central Vacuum Hose
PART #A006 for Models H, F, CM
PART # A006B for Models RM, RMG



Air Turbo Nozzle
 for upholstery
PART # X452



Special Inlet Valve
 "VAC-PAN"
PART # 505 Black



INTERVAC reserves the right to make improvements and modifications without notice.

GarageVac Models



GF-120
In-wall installation where the unit fits flush into a 2x4 stud wall. Space saving. Can also be flush mounted into a garage cabinet. Minimum wall space required.



GH-120
surface mounted in the hobby shop. Can easily be moved to an other location. Compact and very fast excess to vacuum tools and hose

INSTALLATION POSSIBILITIES FOR GARAGEVAC



GH-120
Garage installation close to the garage door. This way cars can be reached inside and outside the garage. Most effective installation. Requires minimal wall space.

other InterVac Models



Model RMG120
Installed as a traditional central vacuum system with a vacuum valve in the living room and the power unit on the other side of the wall, it could be the garage utility room or closet.

see our website:
www.intervacdesign.com



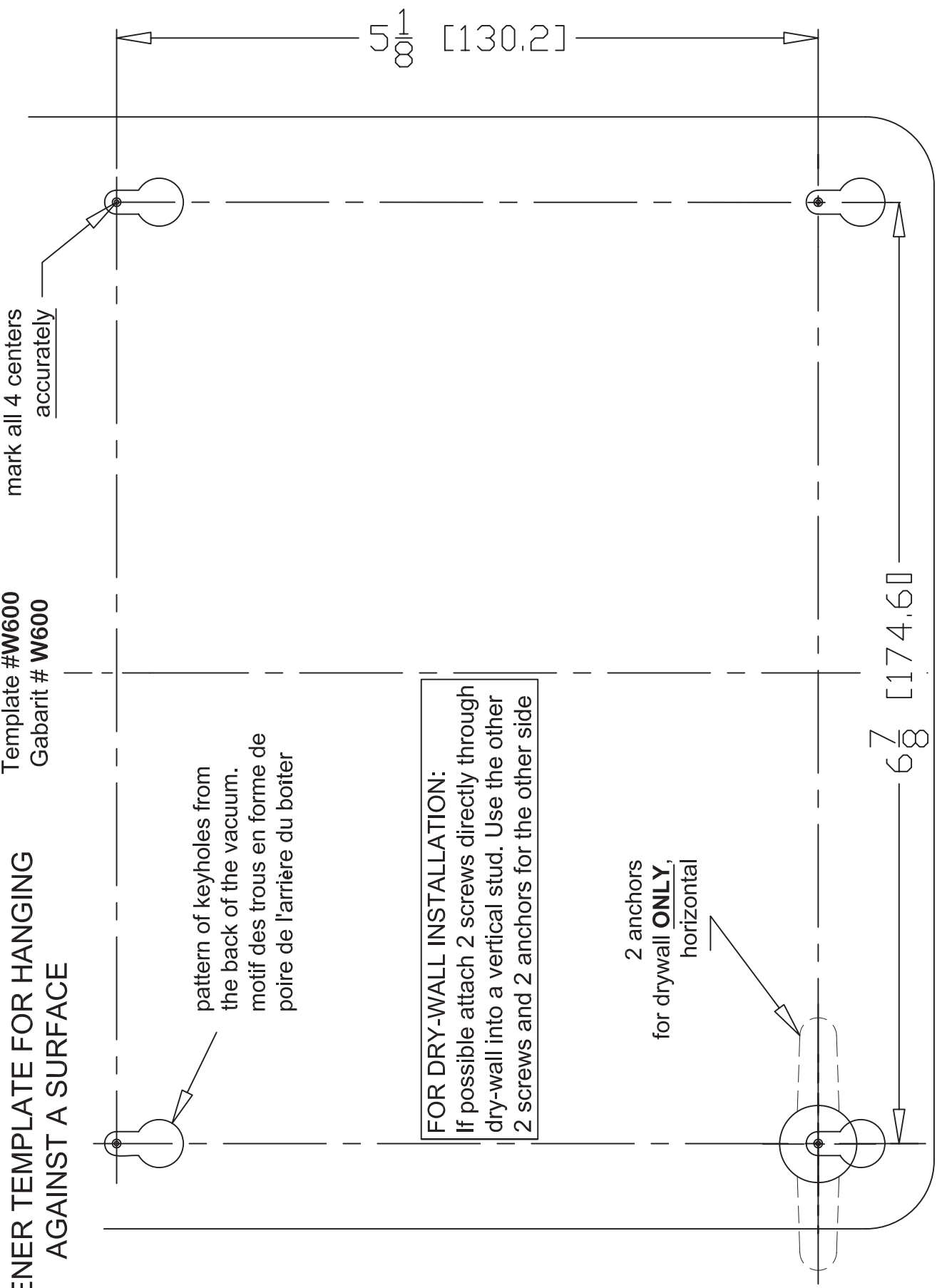
Model F120
(GF120 without the tool caddy)
Installed in the hallway of a town house. Easiest and lowest cost of having a central vacuum in your home.

see our website:
www.intervacdesign.com

FASTENER TEMPLATE FOR HANGING AGAINST A SURFACE

Template #W600
Gabarit # W600

mark all 4 centers accurately



DO NOT DESTROY TEMPLATE, USE FOR FUTURE REFERENCES

CUT ALONG DOTTED LINE